



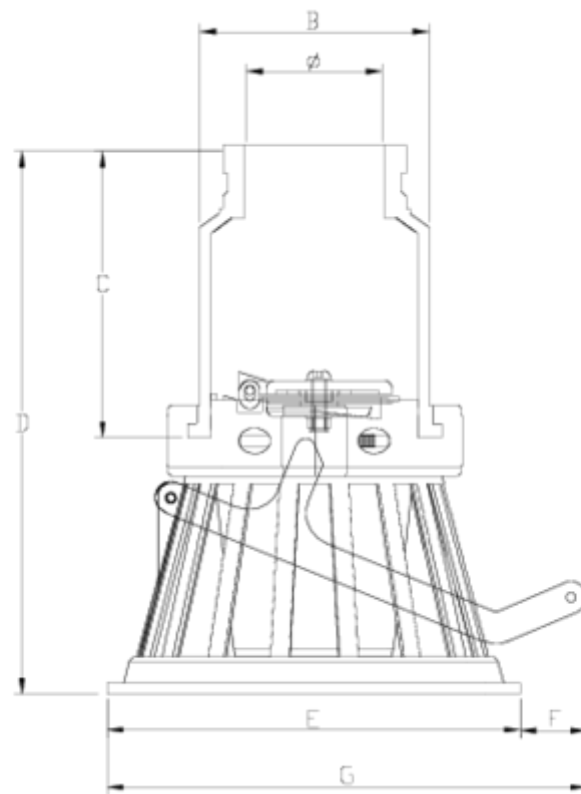
Netwell® foot valves

Foot valve, Netvitic outlet

ITEM 292

REFERENCE	DESCRIPTION	Net weight	Volumen (m ³)	contenido.peso bruto	Unidades lote
1014045	ASPIR. FOOT VALVE,NETVITC OUT. 63	2.354	0.02457	2.584	1
1014047	ASPIR. FOOT VALVE,NETVITC OUT. 90	2.463	0.024567	2.524	1
1014048	ASPIR. FOOT VALVE,NETVITC OUT. 110	2.294	0.024567	2.461	1





ITEM 292 | Foot valve, Netvitc outlet

CÓDIGO	Ø	PESOS	BRIDA	DN CUERPO	B	C	D	E	F	G	PN	MEDIDA
14047	3"	1880	125	110	140	184	352	259	70	329	PN10	MÉTRICO
14048	4"	1930	125	110	140	184	352	259	70	329	PN10	MÉTRICO



Product Documents



Product Certificates

Company Certificates

